

HIGH PRESSURE AIRLINE FILTERS

1,7-50
m³/min

59-1766
cfm

50
bar

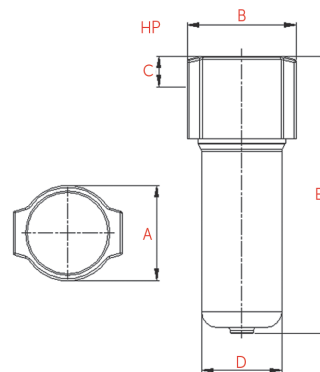
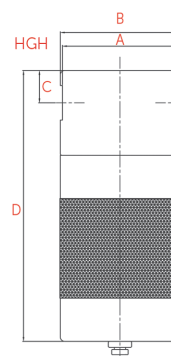


This model filters are produced in a weldless structure to withstand high pressures. High-pressure test guarantee safe and efficient operation.



Advantages

- Durable and compact
- Safe and efficient operation
- High performance
- Strong and reliable design
- Excellent high-pressure applications
- Product performance warranty
- Carbon steel filters designed for 350 bar (optional)
- Sufficient wall thickness
- High-pressure tested
- Anodised interior and exterior surfaces



Model	Max. Pressure		Capacity		Connection Size	Element Model	Dimensions (mm)			
	bar	psi	m ³ /min	cfm			A	B	C	D
HHGO 100	50	725	1,7	59	G 1/4"	M25	113,4	115,4	25,75	155
HHGO 300	50	725	5,0	177	G 1/2"	M50	113,4	115,4	25,75	158,5
HHGO 600	50	725	10,0	353	G 3/4"	M100	109,4	115,4	32,25	207
HHGO 850	50	725	14,2	500	G 1"	M150	133	138	37,35	250
HHGO 1200	50	725	20,0	706	G 1"	M200	133	138	37,35	314
HHGO 1600	50	725	26,7	942	G 1 1/2"	M250	128	138	44,4	368
HHGO 2500	50	725	41,7	1471	G 2"	M2500	145	158	51,5	393
HHGO 3000	50	725	50,0	1766	G 2 1/2"	M3000	160	178	57,6	386

CORRECTION FACTORS FOR HHGO SERIES

Working Pressure (barg)	15	20	25	30	35	40	45	50
Correction Factor	0,3	0,4	0,5	0,6	0,7	0,8	0,9	1,0