

hertz
KOMPRESSOREN

250

NEW



EAGLE
VSD

WATER
COOLED 

EAGLE

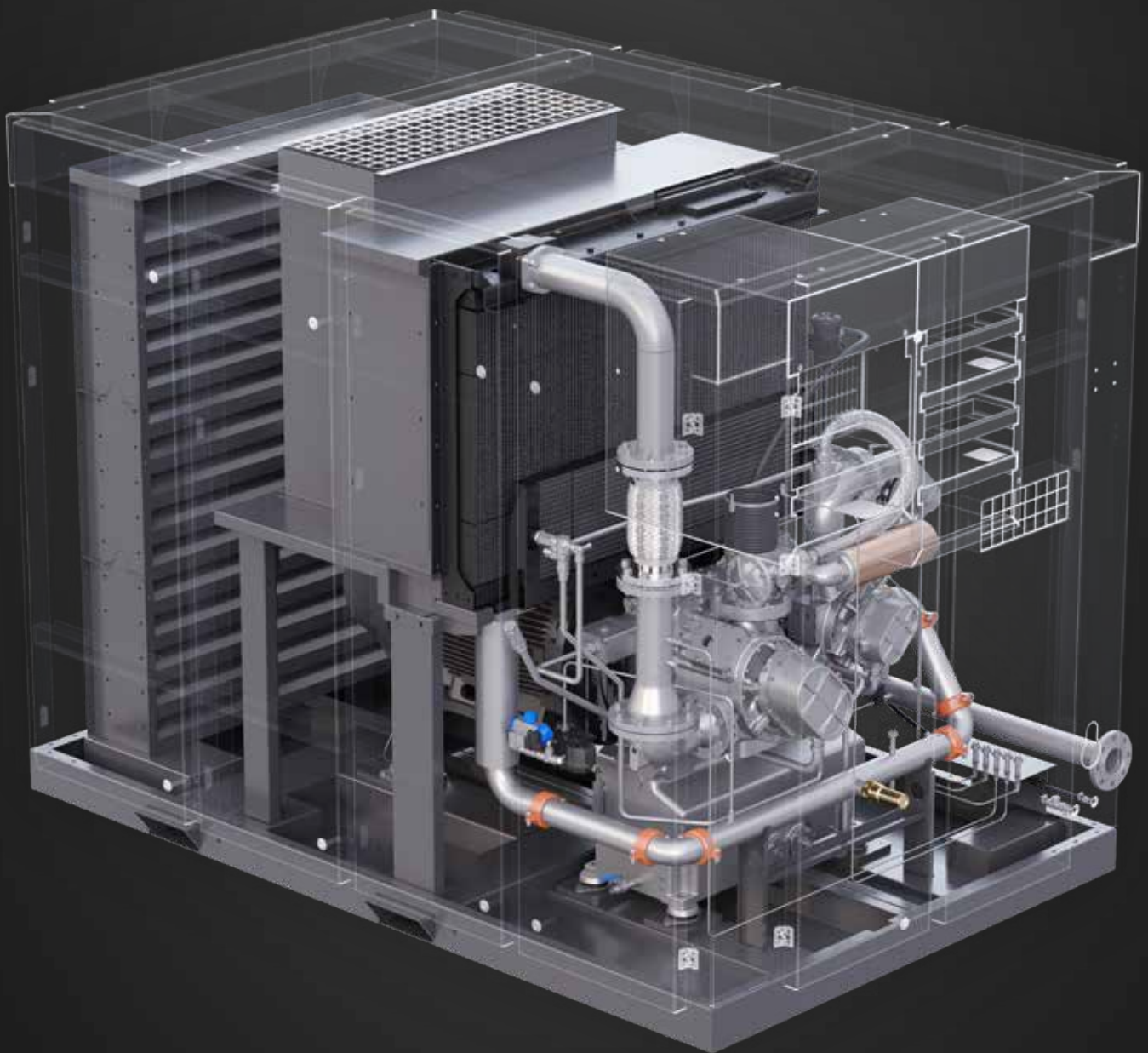
Oil-Free Rotary Screw Air Compressors

110-250 kW

NEW GENERATION

EAGLE

Take your production into the future with our Class 0 certified oil-free screw compressors with low energy consumption and superior air quality!





12,4,-44,5
m³/min

110-250
kW

7,5-8,5-10
bar

EAGLE SERIES

*Oil-Free, Direct Coupled, Fixed/Variable Speed
Rotary Screw Compressors*

We offer more sustainable, Class 0-certified, fully oil-free air solutions for the food, beverage, chemical and electronics industries.

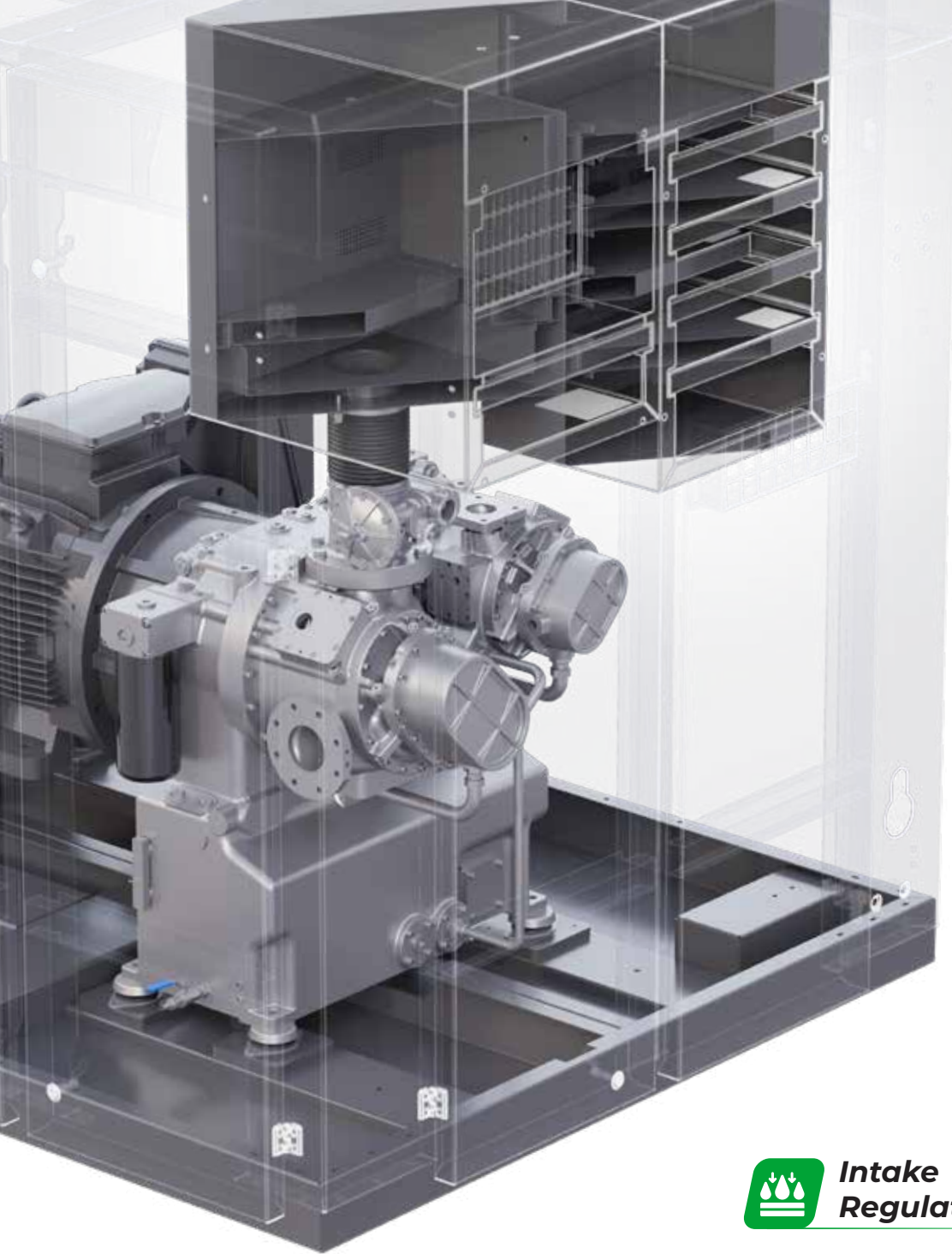


General Features

- IE4 efficiency-class electric motors
- Soundproofed canopy
- Electrostatic coated canopy components for high corrosion resistance
- Electric motor protection to prevent overload
- Air-cooled and water-cooled options
- Fixed and variable speed drive options
- Soft starter at fixed speed models
- Direct coupled drive system

ISO 8573-1

**CLASS
OIL-FREE**



Intake Regulator

- Easy-to-maintain and reliable valves not affected by pollution and condensation
- Thanks to their superior reliability and ease of maintenance, hydraulic intake regulators outperform pneumatic alternatives, ensuring smoother and more dependable operation
- Low noise levels achieved by the intake shutters

Advantages

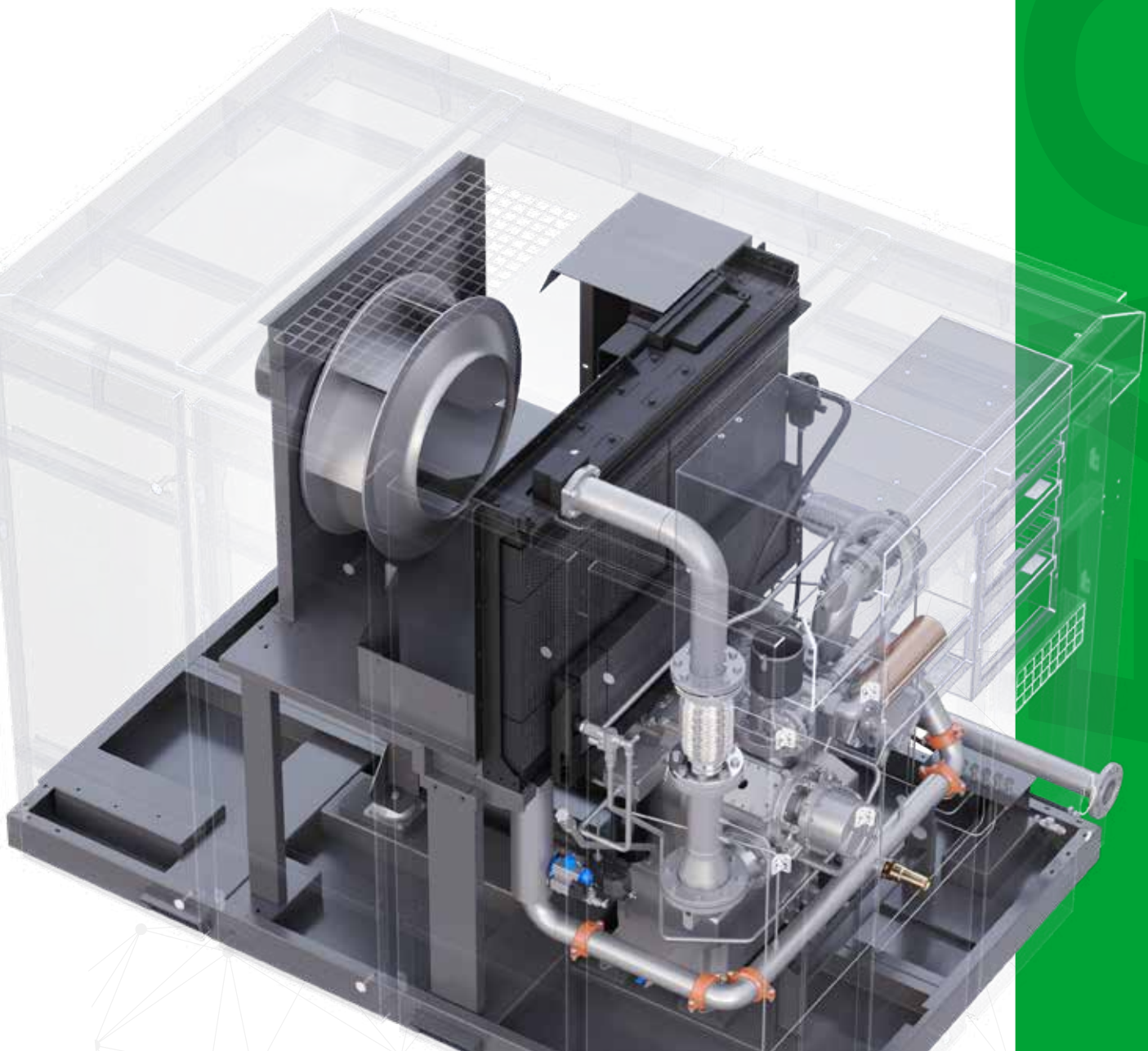
- Produces less filter waste than oil-injected compressors, which reduces your maintenance costs down.
- It can be used safely in sensitive industries such as food and pharmaceutical for the highest hygiene.
- Highly durable performance suitable for working in the harshest operational conditions.
- Models with VSD technology save up to 35% energy and reduce your energy costs.
- Special venturi design prevents rapid pressure fluctuations and high-frequency vibrations.

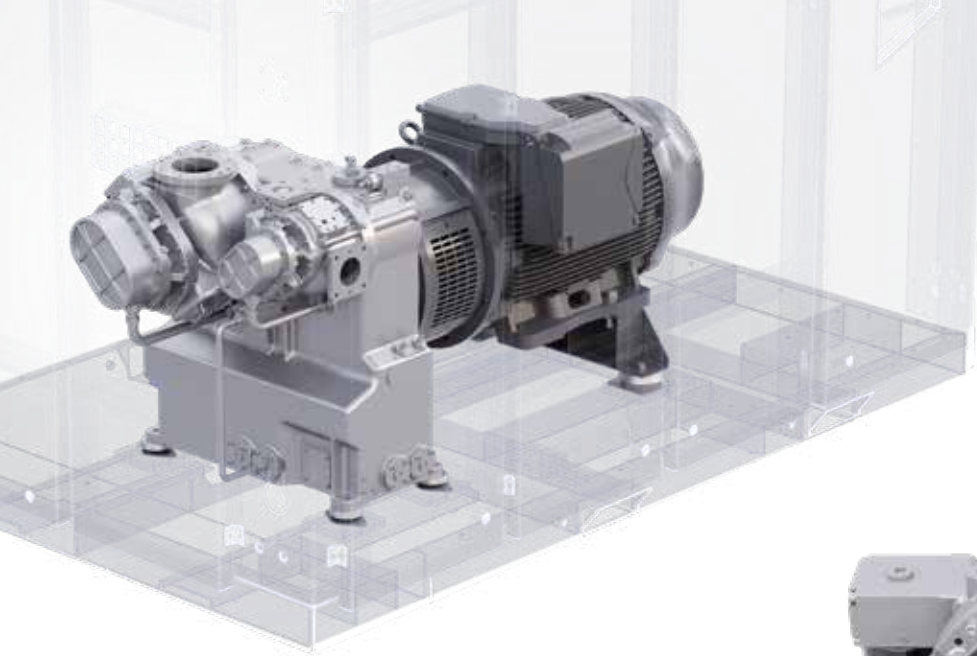
Cooling System

- A compact cooling block that integrates an intercooler, a pre-cooler, an after cooler, and an oil cooler into a single system
- Two-stage cooling with pre-cooler system made of stainless steel pipes and fins
- After-cooler with aluminium bar and plate system
- Efficient cooling and minimal noise levels with low-speed radial fans
- Easy to maintain and clean
- Washable panel filter
- Optimum in-cabinet air circulation to keep the motor and screw block cool

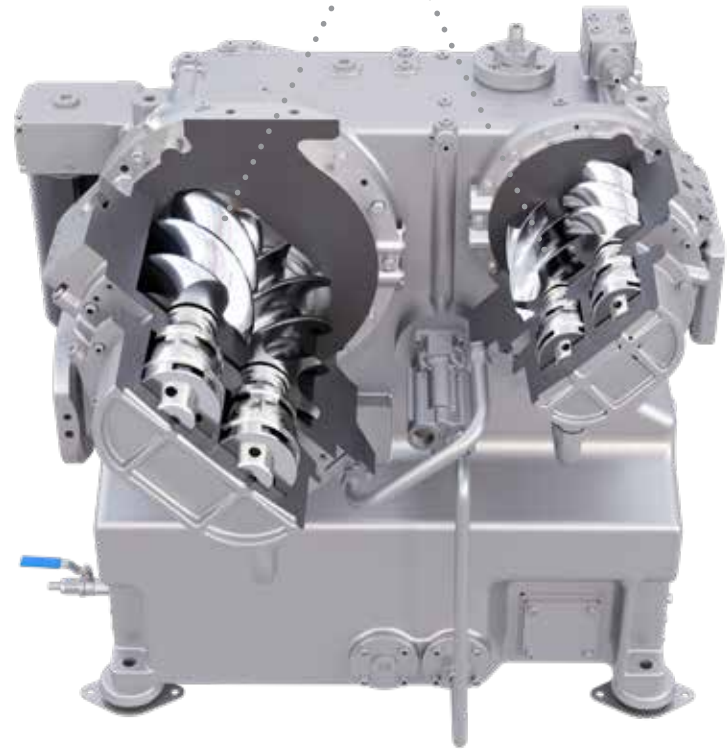
Water Separator

- Improved design for highly efficient water separation at the cooler outlet with minimum pressure loss
- Energy-efficient and zero-loss electronic drain system drains the water before the compressed air is sent to the dryer

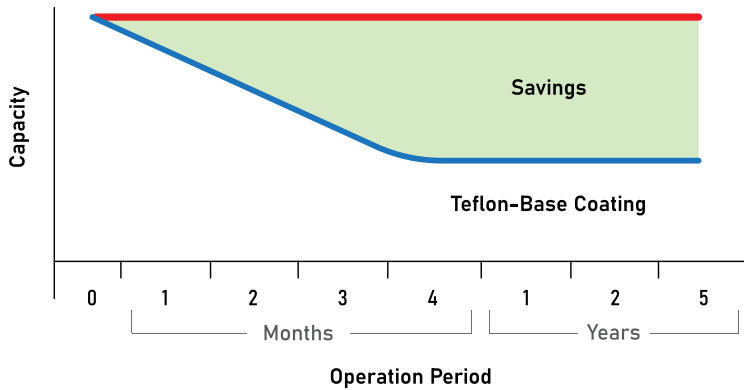




SmartCoat



SmartCoat



Screw Block

- Two-stage screw block
- Bearing system developed with the latest technology ensures long life and vibration-free operation
- Lower overall volume achieved by integrating the oil sump into the gearbox
- High level sealing system ensures high performance even during long operation periods
- Synchronizing gears for contact-free power transmission between the rotors
- Minimal footprint achieved with the compact screw block featuring an integrated water cooling system (200-250kW)
- Specially coated rotors and rotor housing internal parts for minimum gap tolerance and high efficiency
- Stainless steel rotors to eliminate the risk of corrosion and locking, for a long service life
- SmartCoat special material coating provides superior durability against high temperatures
- Jacket cooling for both stages
- Reliable operation with long bearing lifetimes
- Staged rotors made of stainless steel
- Lower overall volume achieved by integrating the oil sump into the gearbox



Certificates

- Our Eagle series compressors provide fully oil-free compressed air at the ISO 8573-1 (Class 0) standard and have been tested and approved by "TÜV Rheinland" Germany.
- Passed the performance tests in compliance with ISO 1217 Annex C and Annex E.

100%
OIL-FREE
COMPRESSED
AIR



ISO 8573-1
Class-0

It is designed in accordance with sensitive and accurate production conditions.

▲ It protects the environment and saves energy.

▲ It is produced in accordance with all global standards and regulations.

▲ It prevents damage to your products and the contamination of your production lines.

▲ Therefore, it eliminates unnecessary machine downtime.

▲ It guarantees the high quality compressed air you need.



PHARMACEUTICAL



HEALTH



ELECTRONICS



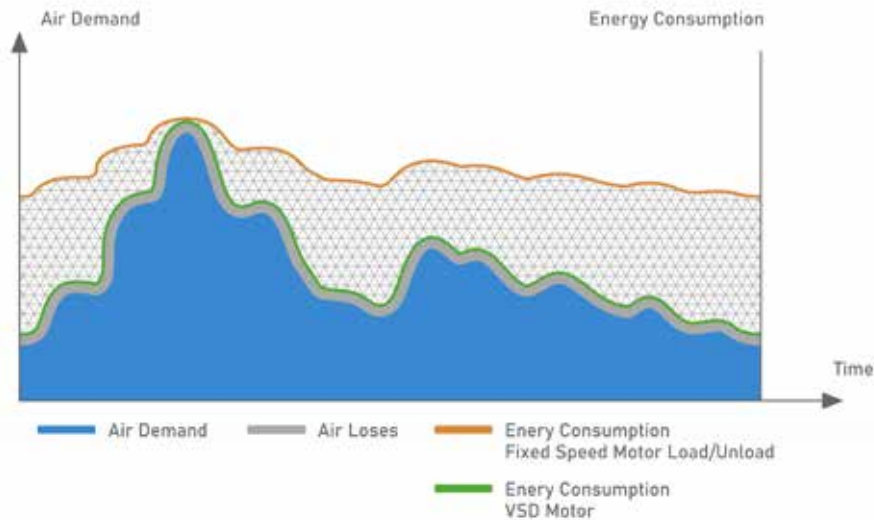
FOOD & BEVERAGES

VSD What is VSD Technology?

Some of industrial operations, the demand for compressed air is variable.

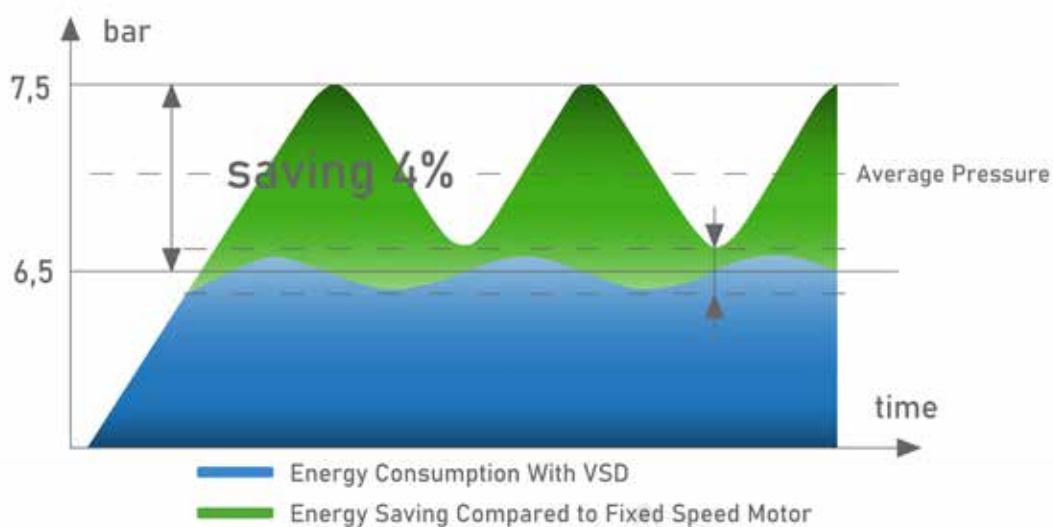
In such conditions our compressors automatically adjust the compressor's operating speed to match air production to demand in real time, saving significant amounts of energy.

A traditional fixed speed air compressor can only operate at full capacity. Fixed speed compressors consume a lot of energy when less air is required and some of the energy is wasted.



VSD Why Hertz VSD?

- Whereas VSD compressor works only according to the amount of need, it reduces the energy cost.
- There is no need to unload, which saves both time and energy.
- Air system pressure is more consistent and also lower, minimizing energy consumption and air leaks.
- Motor and inverter are specially designed to provide maximum efficiency.
- The motors have successfully passed tests performed in the harshest conditions such as high temperature and high pressure.
- Variable speed compressors vibrate less than the other models used in the market.





Controller

- 7-inch Touchscreen Color TFT Display
- Without the need for an external main controller, ability to work synchronized for up to 5 compressors
- Expandable I/O
- Weekly scheduler for starting / stopping the machine at 3 different time intervals can be individually set for each day of the week
- Dual PID feature on inverter-equipped models can run simultaneous PID for temperature and pressure
- Pressure PID on inverter-equipped models ensures energy-efficient operation by maintaining the pressure at the required level
- Temperature PID on inverter-equipped models controls the fan speed to maintain the screw block's most efficient operating temperature
- On inverter-equipped models, all inverter and compressor control data are managed from a single point
- Internal ModBus communication
- User-friendly on-screen interface
- Alarm log records the last 20 alarms
- Periodic maintenance warnings and log records

FIX Fixed Speed Models

Model	Pressure		Capacity*		Motor kW/HP	Connection	Air Cooled			Water Cooled		
	bar	psi	m ³ /min.	cfm			Width x Length x Height (mm)	Weight (kg)	Noise (dB)	Width x Length x Height (mm)	Weight (kg)	Noise (dB)
EAGLE 110	7,5	100	21,6	764	110/150	DN80	3256 x 2132 x 2390	5105	77	3341,5 x 2120 x 2390	4790	75
	8,5	125	19,2	677								
	10	145	19,4	686								
EAGLE 132	7,5	100	24,1	851	132/180	DN80	3256 x 2132 x 2390	5110	73	3341,5 x 2120 x 2390	4795	72
	8,5	125	22,2	783								
	10	145	18,9	669								
EAGLE 160	7,5	100	26,9	949	160/220	DN80	3256 x 2132 x 2390	5175	77	3341,5 x 2120 x 2390	4860	75
	8,5	125	26,7	942								
	10	145	24,1	851								
EAGLE 200	7,5	100	37,0	1307	200/270	DN80	3506 x 2280 x 2530	6210	81	3586,5 x 1980 x 2100	6485	75
	8,5	125	36,9	1303								
	10	145	30,8	1087								
EAGLE 250	7,5	100	43,4	1533	250/340	DN80	3506 x 2280 x 2530	6255	82	3586,5 x 1980 x 2100	6485	75
	8,5	125	43,3	1530								
	10	145	36,5	1290								

- Unit performances measured in reference conditions which are 1 bar absolute air pressure, 0% relative humidity, 20°C inlet air temperature, 71°C thermostatic valve set temperature and use of Smartoil.
- Hertz reserves its rights to make changes in its products and specifications without prior notice.
- * Refers to free air delivery measured according to ISO 1217:2009, Annex E standard.

VSD Variable Speed Models

Model	Pressure		Capacity*				Motor kW/HP	Connection	Air Cooled			Water Cooled		
	bar	psi	Minimum		Maximum				Width x Length x Height (mm)	Weight (kg)	Noise (dB)	Width x Length x Height (mm)	Weight (kg)	Noise (dB)
			m ³ /min	cfm	m ³ /min.	cfm								
EAGLE 110 VSD	7,5	100	12,5	440	22,0	778	110/150	DN80	3256 x 2132 x 2390	5105	77	3341,5 x 2120 x 2390	4790	75
	8,5	125	12,4	440	20,9	736								
	10	145	12,4	438	19,1	675								
EAGLE 132 VSD	7,5	100	12,5	442	23,2	818	132/180	DN80	3256 x 2132 x 2390	5110	73	3341,5 x 2120 x 2390	4795	72
	8,5	125	12,4	439	22,2	784								
	10	145	12,4	438	20,5	726								
EAGLE 160 VSD	7,5	100	13,9	493	27,3	963	160/220	DN80	3256 x 2132 x 2390	5175	77	3341,5 x 2120 x 2390	4860	75
	8,5	125	13,8	488	26,6	938								
	10	145	15,4	545	24,9	878								
EAGLE 200 VSD	7,5	100	19,4	687	38,6	1361	200/270	DN80	3506 x 2280 x 2530	6210	81	3586,5 x 1980 x 2100	6485	75
	8,5	125	19,3	681	36,4	1284								
	10	145	19,1	674	32,9	1163								
EAGLE 250 VSD	7,5	100	19,8	699	44,5	1570	250/340	DN80	3506 x 2280 x 2530	6255	82	3586,5 x 1980 x 2100	6485	75
	8,5	125	19,7	695	42,6	1504								
	10	145	19,6	691	39,1	1381								

- Unit performances measured in reference conditions which are 1 bar absolute air pressure, 0% relative humidity, 20°C inlet air temperature, 71°C thermostatic valve set temperature and use of Smartoil.
- Hertz reserves its rights to make changes in its products and specifications without prior notice.
- * Refers to free air delivery measured according to ISO 1217:2009, Annex C standard.